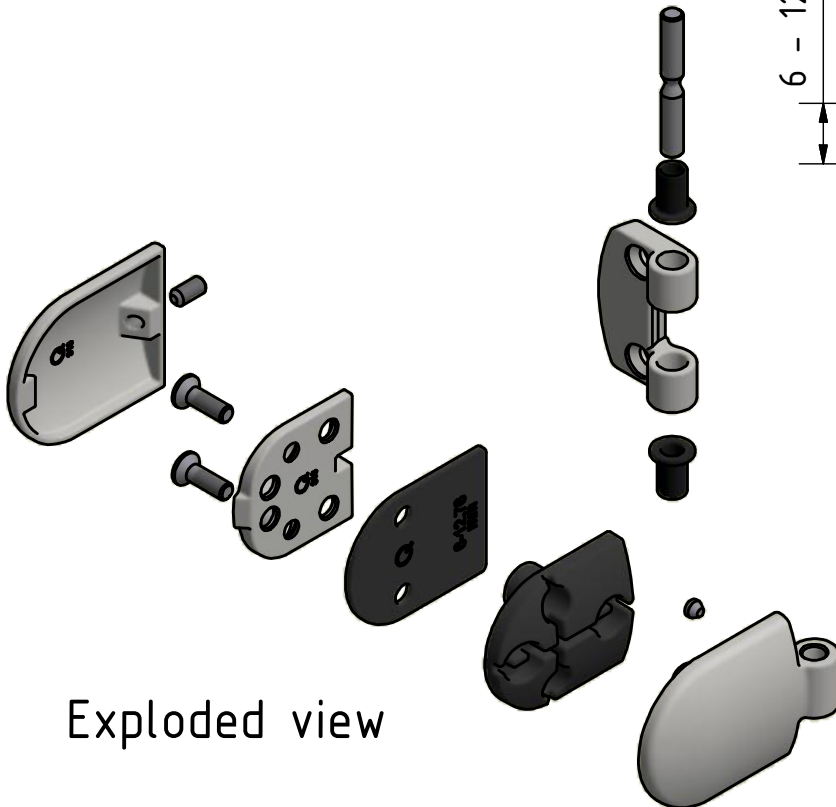


Assembled view



Exploded view

		Scale: 1 : 1	Weight: 241 g		Rev.No.:									
		Material:												
<small>THIS DRAWING IS PROPERTY OF Q-RAILING EUROPE GmbH & Co KG ALL RIGHTS RESERVED. It may not be submitted for perusal to third parties, either whole nor partly, unless granted. It is not permitted to alter this drawing unauthorised, in any way.</small>		Product line: Glass clamp systems												
<table border="1"> <thead> <tr> <th></th> <th>Date</th> <th>Name</th> </tr> </thead> <tbody> <tr> <td>Drawn</td> <td>18.12.2019</td> <td>JUTH</td> </tr> <tr> <td>Checked</td> <td>18.12.2019</td> <td>LMR</td> </tr> </tbody> </table>			Date	Name	Drawn	18.12.2019	JUTH	Checked	18.12.2019	LMR	Description: Hinge, tube flat			
	Date	Name												
Drawn	18.12.2019	JUTH												
Checked	18.12.2019	LMR												
General tolerance according		Drawing no.: CD-14028100012			Project:									
					Sheet: 1 / 1									
					A4									